



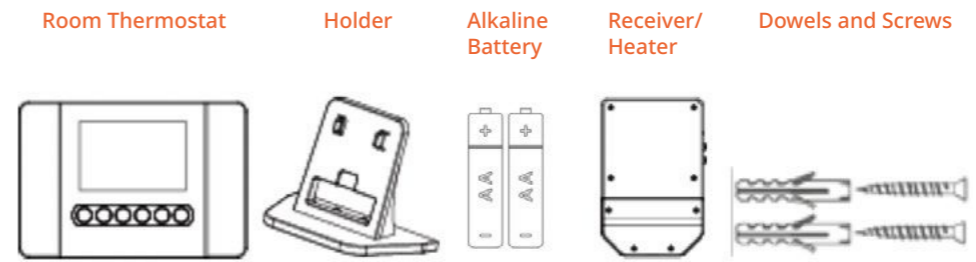
# **KÖNIGHAUS**

## **INFRAROT**

Manual  
M-Serie Smart/Room Thermostat

## TABLE OF CONTENTS

Technical data.....	13
Room Thermostat.....	14
Display.....	14
Receiver REV18.....	16
Pair the room temperature controller with the receiver.....	17
Equipment installation.....	18
Battery installation.....	18
Receiver installation.....	19
Receiver wiring diagram.....	19

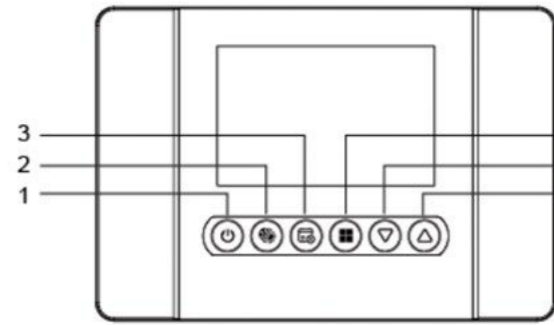


## TECHNICAL DATA

Room Thermostat	
Dimensions	125mm/85mm/20mm
Operating Current	3V DC (2 x AA Batterie)
Temperature Measurement Accuracy	0.5°C
Temperature display Accuracy	0.1°C
Control hysteresis	-2.0 ~ 2.0°C
Set temperature Range	5 ~ 40°C
Working environment Temperature	0 ~ 50°C
Storage Temperature	-10 ~ 60°C

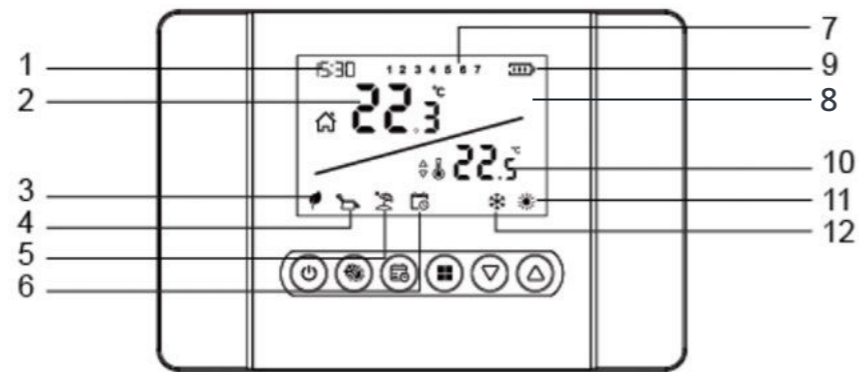
Receiver (attached to heating panel)	
Dimensions	150mm/88mm/30mm
Operating Current	230V AC
Relay NO Switching Current	16A (250 VAC)
Storage Temperature	-10 ~ 60°C

## ROOM THERMOSTAT



- 1 On/Off Button
- 2 Heating & Cooling Selection
- 3 Weekly Program Button
- 4 Temperature Adjustment Button (Increase)
- 5 Temperature Adjustment Button (Decrease)
- 6 Mode Button

## DISPLAY



1		Time (Hour Indicator)
2		Room Temperature
3		Economy Mode
4		Comfort Mode
5		Holiday Mode
6		Weekly Program Mode
7	1 2 3 4 5 6 7	Day Indicator
8		Display
9		Battery Indicator
10		Set Temperature
11		Heating Indicator • If the Heating Indicator is blinking, the heating unit is working. • If the Heating Indicator is steady, the heating unit is not working.
12		Cooling Indicator • If the Cooling Indicator is blinking, the cooling unit is working. • If the Cooling Indicator is steady, the cooling unit is not working.

Note: Some symbols (3, 4, 5, 6, 10, 11, 12) only appear when the corresponding function is active.

### Mode Switching

Short press the mode button to switch the working mode: Economy mode/Comfort mode/Holiday mode.

### Clock Setting

Long press to enter the clock hour setting, then press to set the minute, week, and programming type. Use or to change the setting parameters (short key cycle setting).

### Programming settings

In the programming type setting interface, long press to enter the settings. Short press to switch to the programming parameter settings. Short press or to switch the date, then short press to enter the P1 settings of the first period. "ON" or "OFF" flashes, use or to switch. To change to „OFF“ and close the current period, press briefly to directly enter the next period's P2 setting. To change to „ON“ and enable the current period, short press to enter the start time setting of the current period. Short press again to enter the end time setting of the current period. Short press again to set the temperature for the current period, and use or to adjust the setting parameters.

Short press again to enter the P2 setting for the next period, until the P6 settings are completed. Then return to the previous interface to reselect the date to be set, or long press to save and exit. Otherwise, the settings will be invalid.

### Programming parameter query

In programming mode, press to enter. Press the plus or minus keys to switch and query the programming week. Press the mode key to switch and query the time and set temperature of the corresponding period.

### Energy saving/comfortable/ holiday mode temperature settings

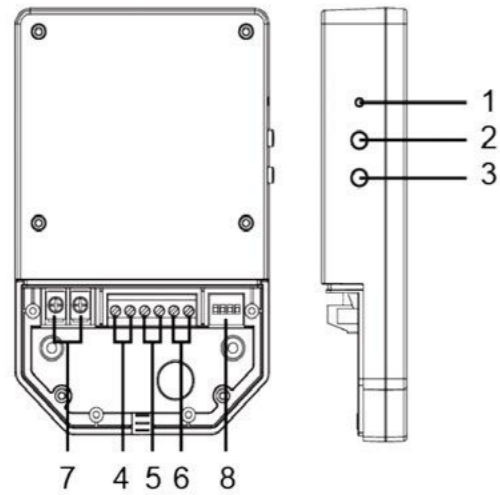
Long press to enter, short press to switch between Energy Saving, Comfortable, and Holiday mode temperature settings, short press or to change the setting parameters, long press to save and exit. Otherwise, the settings will be invalid.

### Room temperature controller advanced option settings

In the off state, press for 3–5 seconds to enter the advanced option settings, short press to switch to the option to be set, short press or to change the setting parameter.

Order	Icon	Setting Options	Data Setting Function	Factory Default
1	CAL	Compensation temperature	-8.0 ~ 8.0	0.0
2	HSP	Positive start temperature difference	0.1 ~ 2.0	0.5
3	HSN	Negative start temperature difference	-0.1 ~ -2.0	-0.5
4	OP	Window function	ON/OFF	ON
5	Adr	The RF communication address should be consistent with the lower board dial	1 ~ 16	1
6	rSt	Factory Reset	On/YS	Select YS and short press the power button to restore to factory settings

## RECEIVER REV18



- 1 LED-indicator on the receiver
- 2 Wi-Fi Pairing Button: Long press to trigger WiFi configuration
- 3 Manual Operation Button: (disables the receiver and allows the user to manually control the output). Press and hold for 3 seconds to force output; press and hold again for 3 seconds to exit.
- 4 Power Input
- 5 Electric Heater Connection Input
- 6 Input Reserved (blank)
- 7 Ground terminal
- 8 Receiver IP dip code

LED DESCRIPTIONS	RECEIVER
Three lights flash at the same time	RF module is faulty
blue light shines	Load output OFF (no output)
blue light off	Load output ON (output active)
red light and green light flash at the same time.	Manual forced output
Receive RF signal, output status changes	Green light flashes three times = open
	Red light flashes three times = closed
Red light flashes	RF communication timeout (no signal received for 2 minutes)
Green light flashes	WiFi distribution network
Green light is always on	Networking

## PAIR THE ROOM TEMPERATURE CONTROLLER WITH THE RECEIVER

### IP address settings of the room thermostat

Select while switched off by pressing the switch . Press for 3-5 seconds to access the advanced options. Select the 'Adr' option by pressing the switch . Use or to set the channels (1-16), for example to 1. Set the IP address of the receiver (heating) to 1 as well (see illustration below).

1	2	3	4	IP
OFF	OFF	OFF	OFF	1
OFF	OFF	OFF	ON	2
OFF	OFF	ON	OFF	3
OFF	OFF	ON	ON	4
OFF	ON	OFF	OFF	5
OFF	ON	OFF	ON	6
OFF	ON	ON	OFF	7
OFF	ON	ON	ON	8
ON	OFF	OFF	OFF	9
ON	OFF	OFF	ON	10
ON	OFF	ON	OFF	11
ON	OFF	ON	ON	12
ON	ON	OFF	OFF	13
ON	ON	OFF	ON	14
ON	ON	ON	OFF	15
ON	ON	ON	ON	16

Switch up = on  
Switch down = off

Note: Set the IP addresses on both sides to be the same; the configuration is then completed.

### Example 1

IP 1 (channel 1) = all switches off (down)



### Example 2 (e.g. for additional heating)

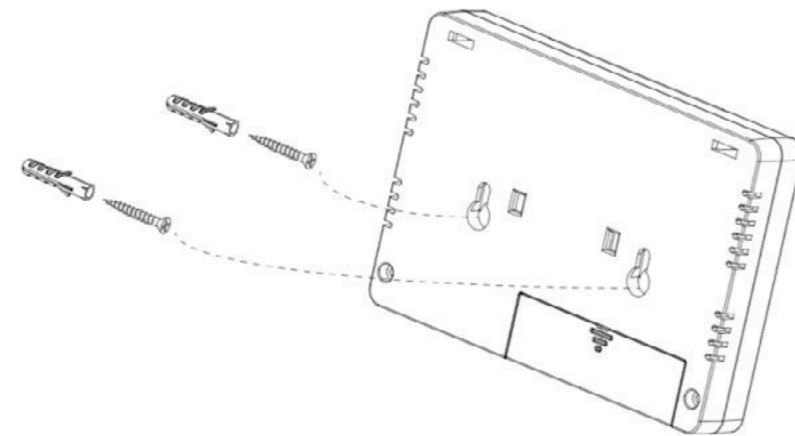
IP 2 (channel 2) = switches 1, 2 and 3 off (down) and switch 4 on (up)



### Receiver WiFi network configuration

Search for „Smart RM“ or „Smart Life“ in the app store and download the app to install. Open the app, then press the „+“ button in the upper right corner of the main interface. Press and hold the network configuration button on the receiver for 5 seconds to start WiFi configuration; the green light will flash. After the device is found in the app, press the „Add“ button. Wait until the configuration process is complete; the green light will remain on.

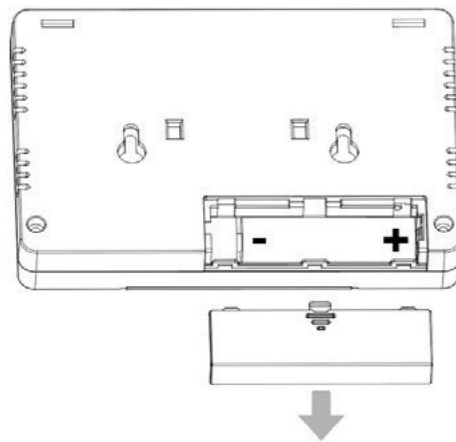
## EQUIPMENT INSTALLATION



Room temperature controllers should be placed in the rooms that are used most frequently, for example in the living room or lounge. Do not place the room thermostat in areas where drafts circulate, such as near the entrance of a room or next to a window. Avoid placing it near heating or cooling devices such as radiators, stoves, or in areas exposed to direct sunlight. The room thermostat should be installed at a height of 150 cm above the floor.


8

## BATTERY INSTALLATION



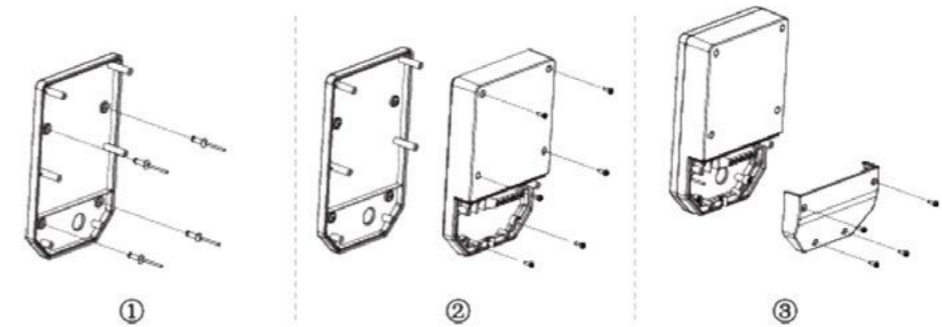
1. Remove the battery compartment cover from the bottom of the back of the room temperature controller.
2. As shown in the picture, insert two new AA alkaline batteries, making sure to follow the correct positive and negative directions.
3. Gently push the battery compartment cover back in until it clicks into place.

### Low battery warning:

When the icon  appears on the screen, it indicates a low battery warning. It is recommended to replace the batteries when this warning appears.

**Warning:** When the product is not used for a long period (more than 15 days), remove the batteries. Otherwise, malfunctions that may occur will not be covered by the warranty. Please dispose of used batteries in the designated battery waste bin.

## RECEIVER INSTALLATION



- The devices should not be mounted on metal surfaces.
- The devices should not be installed close to electrical cables or electronic equipment such as computers and television units.
- The devices should not be installed near large metal structures or building materials containing fine metal meshes, such as special glass or special concrete.
- The distance between the room thermostat and the receiver should not exceed 20 meters or two floors.
- The receiver must be installed at least 50 cm away from the heating or cooling unit.
- Shut down your heating/cooling unit and disconnect its power source from all electrical current (fuse, socket, etc.).
- As shown in the connection diagram, connect one end of the heating/cooling unit connection cable to A and B, and the other end to the B input of the receiver.
- Connect the other ends of the cable – which you connected to the receiver – to the room thermostat connection terminal, as described in your heating/cooling unit's user manual.
- Connect the receiver power cable first to the receiver and then to the fuse to which the heating/cooling unit is connected.
- After completing the cable connection process, turn on the fuse first and then the heating/cooling unit.
- Finish the installation of the room thermostat to pair it with the receiver.

9

## RECEIVER WIRING DIAGRAM

